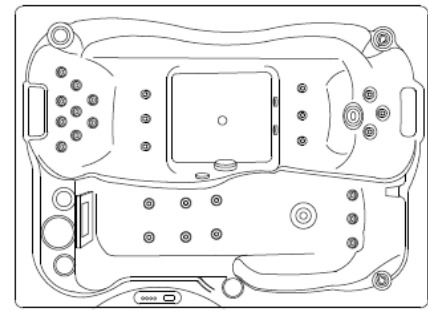


EMOTION for 3



TECHNICAL INFORMATION

Dimensions	2.06 x 1.50 x 0.80 m
Jets	35
Shell	White
Panels	EcoWood Grey
Weight without water	300 Kg
Weight with water	1200 Kg
Volume	2.5 m ³

EQUIPMENT SPECIFICATIONS

Seats	3 (1 lounged)
Filter	1 (5.5 m ²)
Pump 1: Filtration and Massage	1 – 370 / 1500 w
Ozone Equipment	1
Control System with Heater	1 – 2000 w
RGB Leds	Perimeter
Cover	1

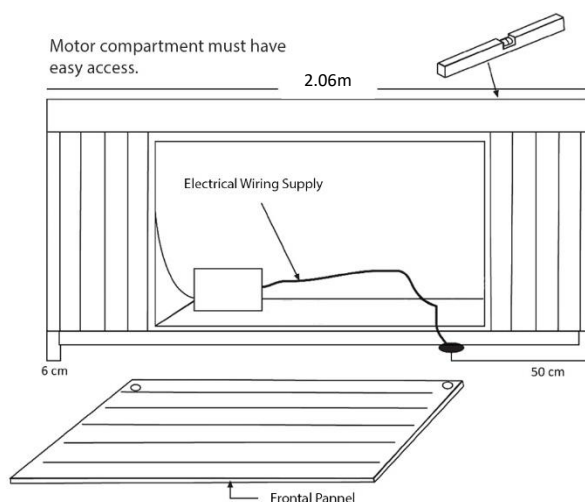
WATER CIRCUIT SPECIFICATIONS

Water Capacity	900 l
Drain Valve	1

ELECTRICAL SPECIFICATIONS

Voltage	220 - 240 V ~
Max Absorbed Power	2370 w
Frequency	50 Hz
Amperage	12 A

Note : the standard measures may vary ± 2 cm



IMPORTANT: Important: The equipment must be connected to an exclusive and permanent power line capable to support installed power. Lighting and electrical receptacles must be located at least 1.5 meters from the equipment.

The circuit ground wire must be provided to take advantage of the designed-in safety features of the equipment.

The electric installation must be in accordance with actual legislation.